

FP SERIES Long Seller Series with safe Design



SIDE SILL BLOCK
(4pcs/set)

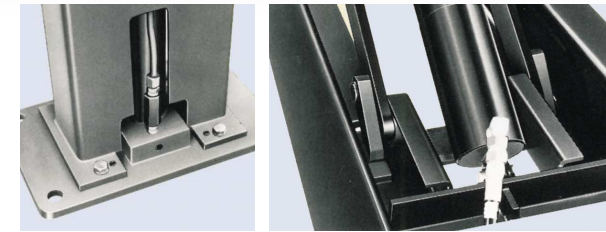


STANDARD 70mm

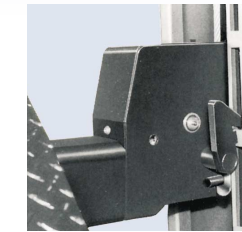


OPTION 115mm

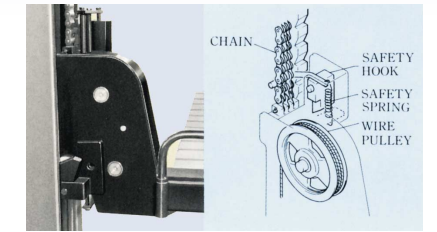
Valuable Features



OIL FLOW CUT-OFF VALVE
against hydraulic breakage



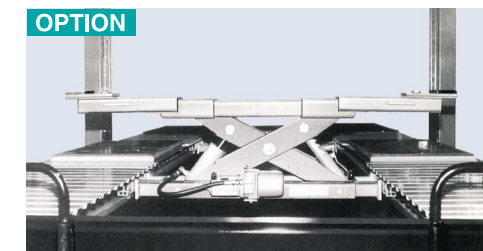
SAFETY DEVICE
against wire breakage



SAFETY DEVICE
against chain breakage



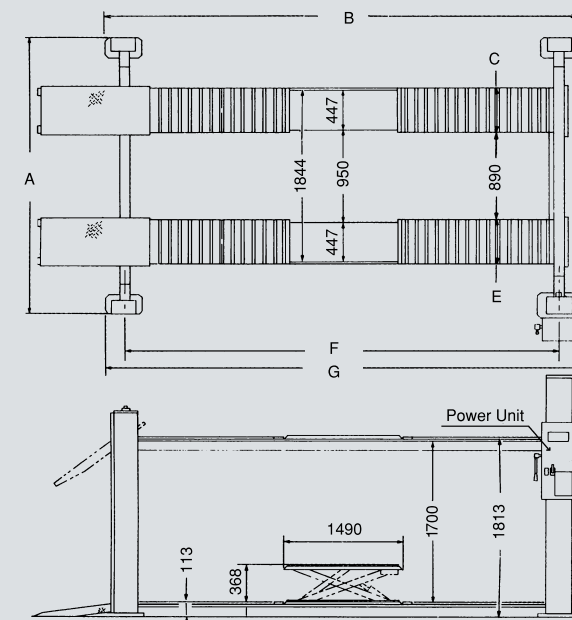
X-TYPE WHEEL-FREE LIFT
(FP3500X and FP4000X)



OPTION
JACKING BEAM
(Pneumatic-hydraulic)

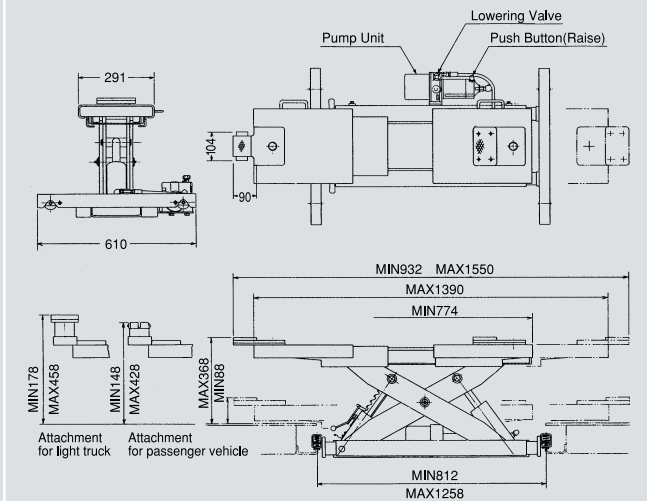
Specifications

FP-3500X · FP-4000X



	FP-3500X	FP-4000X
A	2843	3140
B	4635	5535
C	532	607
D	2908	3205
E	532	607
F	4270	5170
G	4658	5558

NRJ20



Model No.	FP-3500	FP-3500X	Wheel Free Lift for FP-3500X	FP-4000	FP-4000X	Wheel Free Lift for FP-4000X
Max. Capacity		3,500kgs.	1,500kgs. each	4,000kgs.		1,500kgs. each
Max. Lifting Height		1,813mm	368mm	1,813mm		368mm
Lifting Time (Approx.)		60sec. (60Hz)	13sec. (60Hz)	65sec. (60Hz)		13sec. (60Hz)
Motor		1.5kw		2.2kw		