

2 POSTS LIFT

ELECTRO HYDRAULIC

[SPA SERIES]

CAPACITY 4,000kg



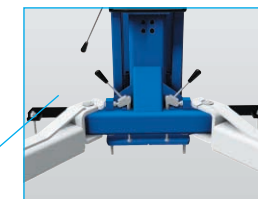
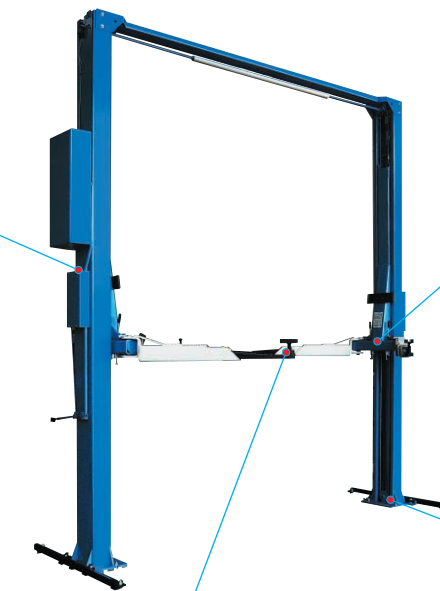
Valuable Features



1 LEVER CONTROL
1 lever operates safely for both hook releasing and lowering.



FULLY DOOR OPENING
Model SPA4000

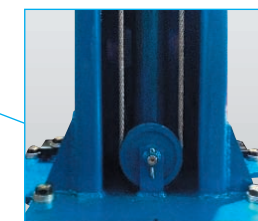


AUTOMATIC ARM RESTRAINT WITH DUAL LEVER

Arms restrain automatically when lifting up for maximum safety. Dual lever allows you to adjust arms individually for easy and smooth setting of lifting point.



BODY CONTACT PADS
Various kinds of Pads are available. See page 9 to know more details.

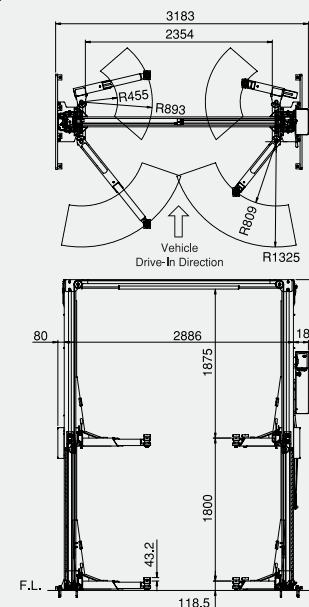


HYDRAULIC CYLINDER & SHUT OFF VALVE

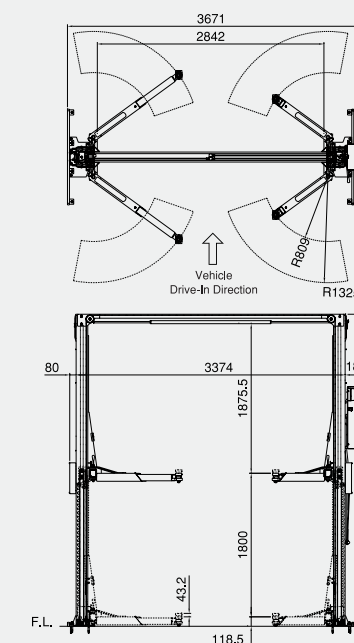
Dual hydraulic cylinder system has automatic shut off valve for protection against hydraulic failure.

Specifications

■ Asymmetric Type
[SPA4000]



■ Symmetric Type
[SPA4000W]



| Model No. | SPA4000 | SPA4000W |
|---------------------------------------|----------------------------|----------|
| CAPACITY | 4000 kgs. | |
| VERTICAL TRAVEL | 1800mm | |
| CONTROL | LEVER TYPE | |
| POWER | 3 PHASE | |
| MOTOR | 1.5kW 4P 10 Minutes Rating | |
| LIFTING TIME TO MAX. HEIGHT (APPROX.) | 60Hz | 64 sec. |
| | 50Hz | 77 sec. |
| OIL VOLUME | 8.5L (ISO VG32) | |