

2 POSTS LIFT

ELECTRO HYDRAULIC

[OSP·NSP SERIES]



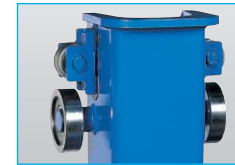
LONGER WARRANTY MODEL
INDUSTRY LEADING WARRANTY (Except consumed parts)



LONG SELLER SERIES WITH SUPERIOR COLUMN STRENGTH



Valuable Features



ROBUST CARRIAGE DESIGN

Solid steel bearings.
Lubricated & sealed for extended service life.



SAFETY HOOK

Safety hook feature direct and positive engagement in Main Column for maximum safety against chain break.



FLOW CONTROL VALVE

It ensures smooth lowering when lifting down any vehicles. It also makes it light to control the operation lever.



SUPERIOR COLUMN STRENGTH

Hot rolled channel made especially for Bishamon forms on the basis of the load bearing structure for maximum strength.



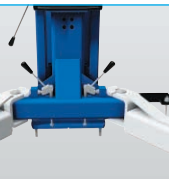
LIFT CHAIN

Chain is used instead of cable for maximum safety and reliability.



SAFETY ROD AND CATCH GEAR

Safety rod is equipped in Sub Column for maximum safety against chain break.



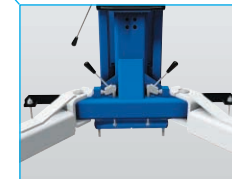
SHUT OFF VALVE

An automatic shut off valve is equipped in Bishamon reliable Hyd. cylinder for maximum protection against hydraulic failure.



BODY CONTACT PADS

Various kinds of Pads are available. See page 9 to know more details.

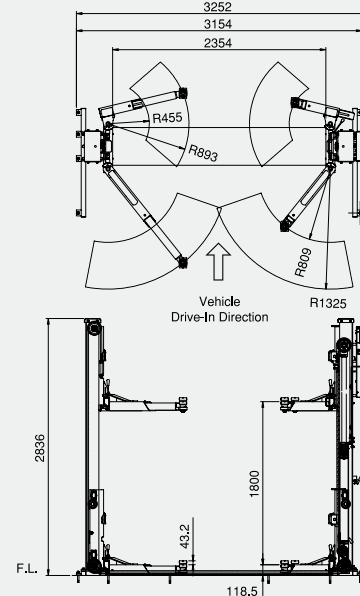


AUTOMATIC ARM RESTRAINT WITH DUAL LEVER

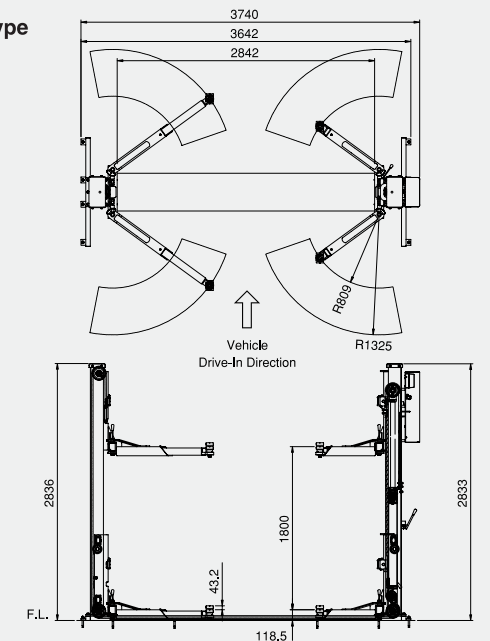
Arms restrain automatically when lifting up for maximum safety. Dual lever allows you to adjust arms individually for easy and smooth setting of lifting point.

Specifications

Asymmetric Type [OSP3500N]



Symmetric Type [NSP3500N]



Model No.	OSP3500N	NSP3500N
CAPACITY	3500 kgs.	
VERTICAL TRAVEL	1800mm	
CONTROL	LEVER TYPE	
POWER	3 PHASE	
MOTOR	1.5kW 4P 10 Minutes Rating	
LIFTING TIME TO MAX. HEIGHT (APPROX.)	60Hz	59 sec.
	50Hz	70 sec.
OIL VOLUME	8L (ISO VG32)	